

Ref. : PU 3200.pas

Rev. : C

Date : 10/04/2014

Page : 1/1

# AUTOMATIC FLOAT AIR TRAP

## PU 3200



**Tecofi**  
VALVE DESIGNER - FRANCE

### APPLICATION

- General use : installation of heating, air conditioning and refrigeration.

### GENERAL CHARACTERISTICS

- Threaded: - Enter : 3/4" F  
- Drain : 3/8" F
- Bras body and Cover.

### CONSTRUCTION

10	1	Filter	Stainless steel	
9	1	Float valve	Stainless steel + FPM	
8	1	Air output	Brass	(Threaded end 3/8")
7	6	Screw	Stainless steel	
6	1	O-ring	EPDM	
5	1	O-ring	EPDM	
4	1	Float	Stainless steel	
3	1	Nut	Brass	
2	2	Cover	Brass	DIN : CuZn40Pb2 ASTM : C37700 BS : CZ122
1	1	Body	Brass	DIN : CuZn40Pb2 ASTM : C37700 BS : CZ122
<b>Pos.</b>	<b>Qty.</b>	<b>Description</b>	<b>Material</b>	

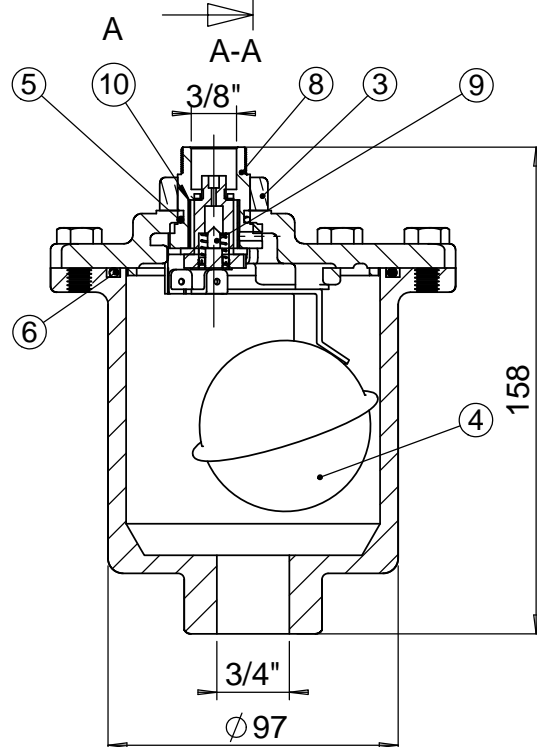
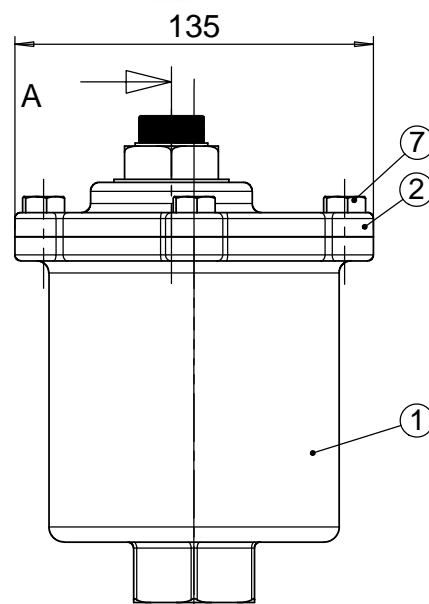
### WORKING CONDITIONS

PS : 16 bar  
PS drain : 6 bar  
T°C : 120 °C

Test procedures are established according to standard  
EN 12266-1, DIN 3230, BS 5154 and ISO 5208:  
- Corps : 24 bar.

### STANDARDS

BSP Threaded according to standard ISO 228-1.



**TECOFI France** - 83, Rue Marcel Mérieux 69960 Corbas - FRANCE  
Tél. +33 (0) 4 72 79 05 79 - Fax +33 (0) 4 78 90 19 19 / +33 (0) 4 72 79 05 70  
Adresses e-mail : sales@tecofi.fr ; tecofi@tecofi.fr / Site web : [www.tecofi.fr](http://www.tecofi.fr)