

Ref.: VP 4649GZ-02.pas

Rev. : Initial

Date : 19/11/2013

Page : 1/1

# GAZ WAFER BUTTERFLY VALVE

## VP 4649GZ-02NI



**Tecofi**   
VALVE DESIGNER - FRANCE

### APPLICATION

General use : gas.

### GENERAL CHARACTERISTICS

From DN 40 to DN 100.  
Long neck for isolation  
ISO 5211 mounting pad.  
Wafer type.  
Full crossing stem.  
Removable seat  
Stainless steel disc.  
9 positions lever with locking device

### CONSTRUCTION

5	1	Handle	Aluminium
4	1	Stem	Stainless steel 420
3	1	Sleeve	Nitril gas
2	1	Disc	Stainless steel ASTM A351 CF8M
1	1	Body	Ductile iron EN GJS-500-7
Pos.	Q-ty	Description	Material

### DIMENSIONS

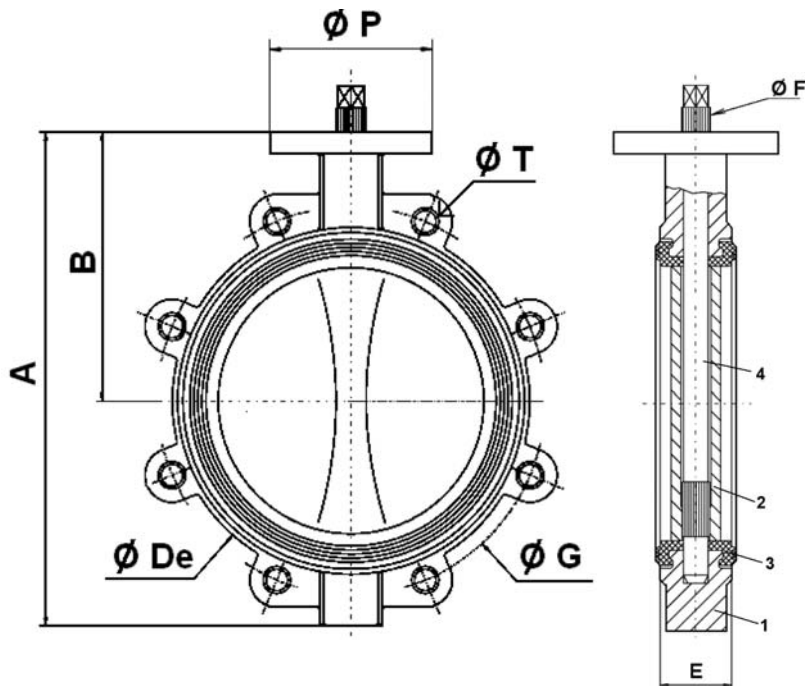
DN		A	B	ØDe	E	ØF	ØG	ØP	ØT	Weight (kg)
mm	inch									
40	1"1/2	205	140	83	33	10.5	110	88	4xM16	2.7
50	2"	224	154	102	43	10.5	125	88	4xM16	3.96
65	2"1/2	241	160	115	46	14.5	145	88	4xM16	4.31
80	3"	256	172	136	46	16.5	160	88	8xM16	5.52
100	4"	294	185	157	52	16.5	180	88	8xM16	6.98

### WORKING CONDITIONS

Maximum working temperature : -20°C / 60°C  
Maximum working pressure: 5 bar

### STANDARDS

Fabrication according to ISO 9001:2008  
face to face according to ISO 5752 short serie 20,  
EN 558 serie 20 ( NF 29305 ), BS 5155 Wafer  
short/medium, DIN 3202 part 3, serie K1.  
Tests according to ISO 5208.  
Connection between flanges ISO PN10 according  
to EN 1092-1 and ISO PN20/ANSI150.



### Handle vue

